

Description

The Securail pro is a mobile anchoring device made of a rail, fixed to the structure, and of one or more trolleys travelling on the rail. The Securail Pro enables the securisation of several people evolving in places where there is a risk of fall from height. The Securail Pro is installed on a new building or on existing structure. 3 installation configurations are foreseen, on ground, on wall or on ceiling. The Securail Pro is also used for rope access works under specific conditions.



Compliant with EN795:2012
Type D



x 2

Advantages

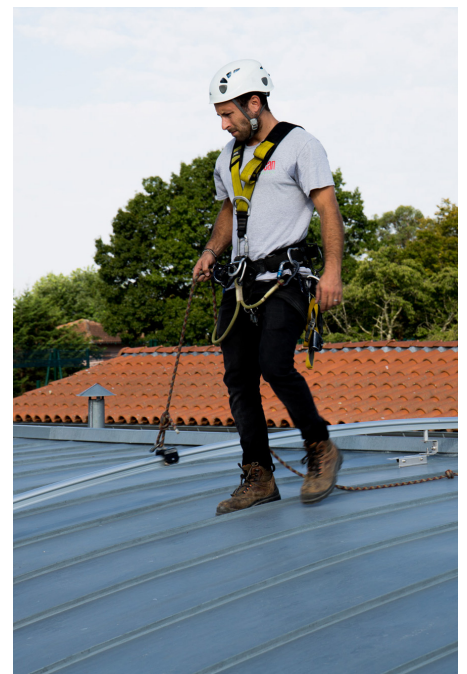
- Large distance between brackets (6m). For rope access works, the distance between brackets is limited to 1,5m
- Energy absorption by deformation of the rail when stopping a fall
- Bendable on demand (minimum radius 450mm)
- Low weight (1,7kg/m)
- Particularly robust and durable
- Delivered in lengths 3m or 6m
- Easy gliding of the trolley thanks to its ball bearing
- One trolley for all 3 configurations ground, wall, ceiling

Technical specifications

Delivered with installer and user manuals

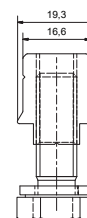
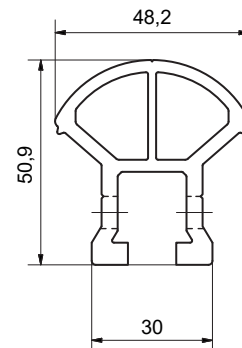
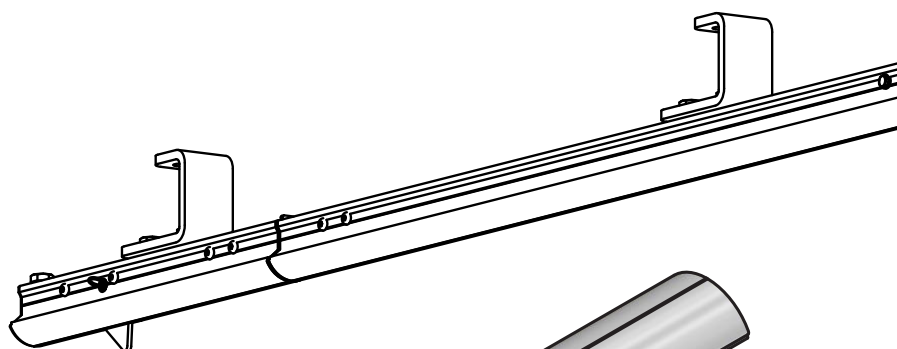
Material : Anodized aluminium EN AW 6060 T66

Strength to foresee on the anchors of the rail 7KN per anchor

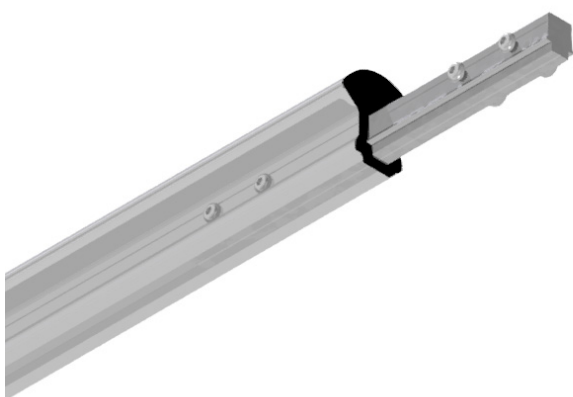
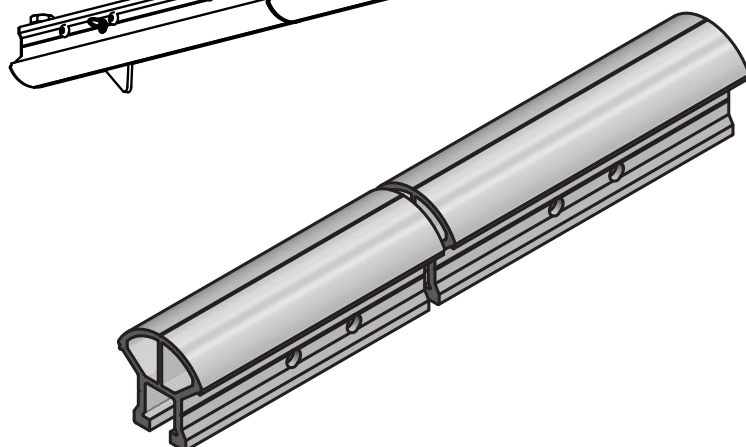


Main components

Bracket



Fixation



Junction

Absorbs the thermal expansion



RHF511

GRANVIA